

オリオンクリーンエアシステム
冷凍式圧縮空気除湿装置

Clean Air System

Low Pressure Loss & Energy Saving

Eco-Friendly Refrigerant Applied

Powerful performance in Asia
with heavy duty specification



Best Match for Inverter Compressor & Oil-Free Compressor

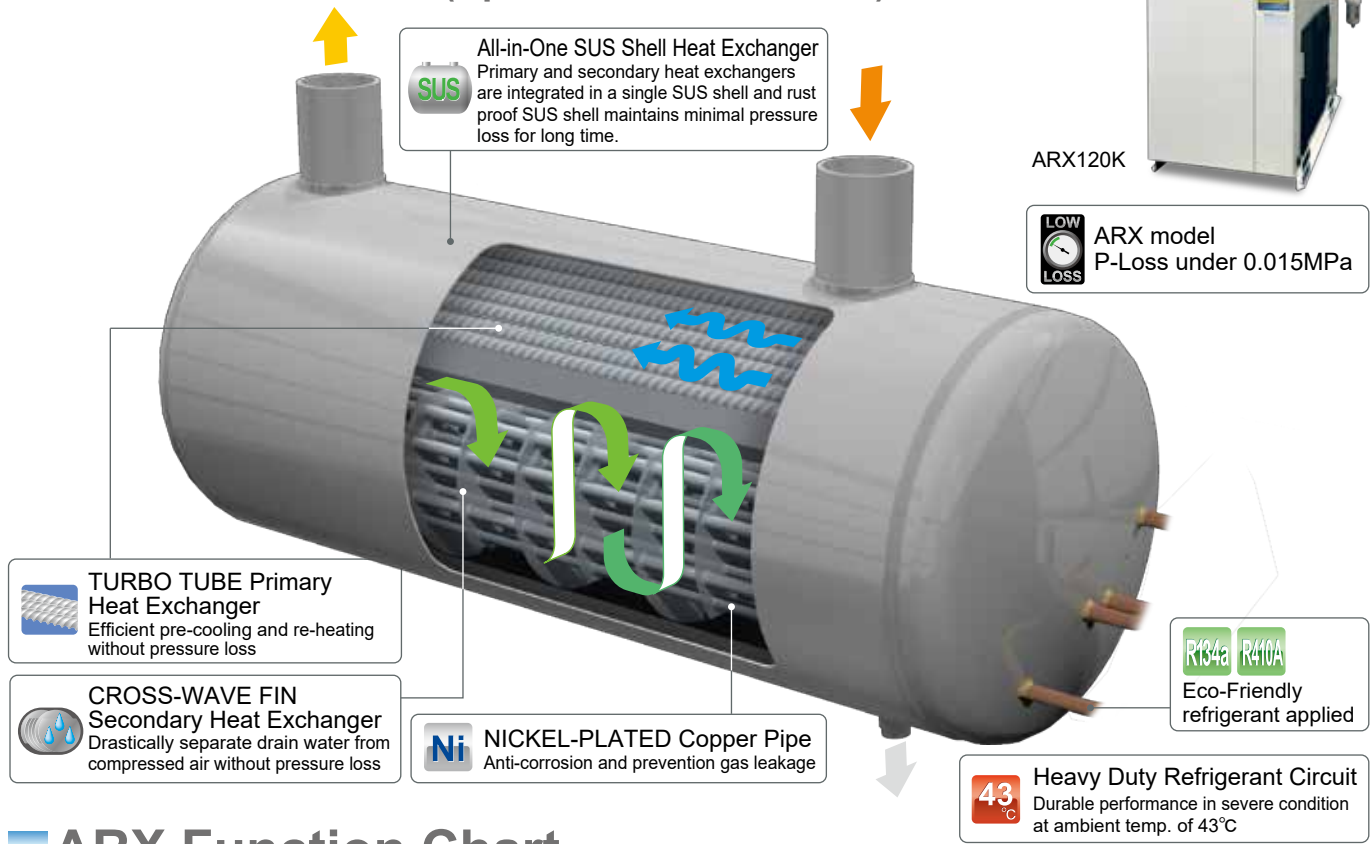
ORION Refrigerated Air Dryer

Feature-Packed Air Dryer for Energy Saving and Stable Productivity,
ORION ARX series (Up to ARX120HK / 180K)



ARX120K

LOW LOSS ARX model
P-Loss under 0.015MPa



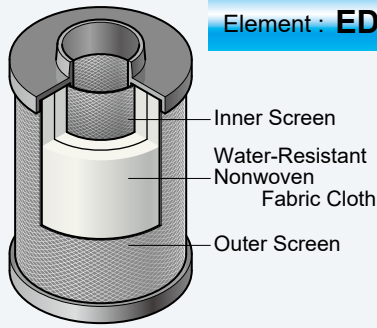
ARX Function Chart

Function	Model : ARX																			
	Standard inlet air temperature model										High inlet air temperature model									
	5J	10J	20J	30J	50J	75J	100J	110K	120K	180K	3HJ	5HJ	10HJ	20HJ	30HJ	50HJ	75HJ	90HK	100HK	120HK
All-in-One SUS Shell Heat Exchanger SUS Shell Heat Exchanger		●	●	●	●	●	●	●	●	●										
TURBO TUBE Primary Heat Exchanger	●	●	●	●	●	●	●	●	●	●	●	●	●	●	●	●	●	●	●	●
CROSS-WAVE FIN Secondary Heat Exchanger	●	●	●	●	●	●	●	●	●	●	●	●	●	●	●	●	●	●	●	●
NICKEL-PLATED Copper Pipe			●	●	●	●	●	●	●	●										
R134a / R410A Refrigerant	●	●	●	●	●	●	●	●	●	●	●	●	●	●	●	●	●	●	●	●
Heavy Duty Refrigerant Circuit	●	●	●	●	●	●	●	●	●	●	●	●	●	●	●	●	●	●	●	●
Condenser Filter		●	●	●	●	●	●	●	●	●		●	●	●	●	●	●	●	●	●
Wide Adjusting Range CCV (capacity control valve)	●	●	●	●	●	●	●	●	●	●	●	●	●	●	●	●	●	●	●	●
Operation Lamp	●	●	●	●	●	●	●	●	●	●	●	●	●	●	●	●	●	●	●	●
Alarm Lamp											●	●	●	●	●	●	●	●	●	●
Evaporating Pressure Gauge		●	●	●	●	●	●	●	●	●										
Air Pressure Gauge			●	●	●	●	●	●	●	●										
Long Life Fan-Control Switch	●	●	●	●	●	●	●	●	●	●	●	●	●	●	●	●	●	●	●	●
One Touch Open Front Cabinet	●	●	●	●	●	●	●	●	●	●	●	●	●	●	●	●	●	●	●	●
I/F (Remote ON/OFF, Operation Status, Alarm)											Option	●	●	●						
Exhaust Duct																				Option
Float Operated Auto Drain Trap FD6 with Ball Valve					●	●	●	●	●						●	●	●	●	●	●
Float Operated Auto Drain Trap FD2 with Ball Valve		●	●	●									●	●	●					
Float Operated Auto Drain Trap FD2	●											●								
Disc Operated Auto Drain Trap AD-5 with Ball Valve											●									●

ORION Clean Air Filter

Advanced Technology Packed Clean Air Filter, ORION "AL-Filter" series

Drain Filter DSF-AL | Location*1 Before ARX



Sectioned Drawing of Element

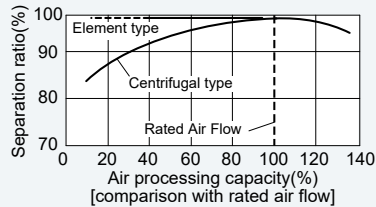
Element : **EDS**

Water droplet and solid particulate (5 μ m) removal
No water drop in filtration performance
Low pressure loss (0.005MPa or less) as pre-Filter
Float operated auto drain trap installed

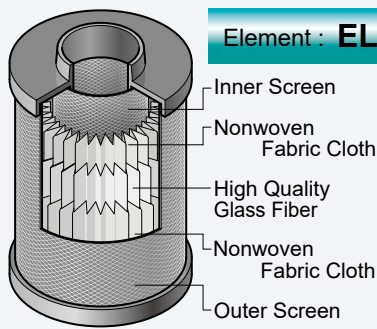


P-loss
0.005MPa

Performance Curve



Line Filter LSF-AL | Location*1 After ARX



Sectioned Drawing of Element

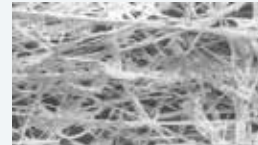
Element : **ELS**

Solid particulate (1 μ m, 99.999%) removal
High quality glass fiber element installed(ELS)
Float operated auto drain trap installed
Precision different pressure gauge "DG-50(A)" installed (LSF400AL and bigger model)

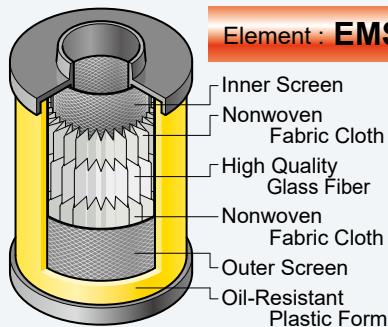


P-loss
0.005MPa (Initial)

High Quality Glass Fiber



Mist Filter MSF-AL | Location*1 After LSF-AL



Sectioned Drawing of Element

Element : **EMS**

Oil mist (0.01wt ppm) and fine solid particulate (0.01 μ m, 99.999%) removal
Newly developed element installed(EMS)
Float operated auto drain trap installed
Precision different pressure gauge "DG-50(A)" installed (MSF400AL and bigger model)

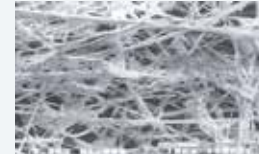


P-loss
0.01 ~ 0.02MPa

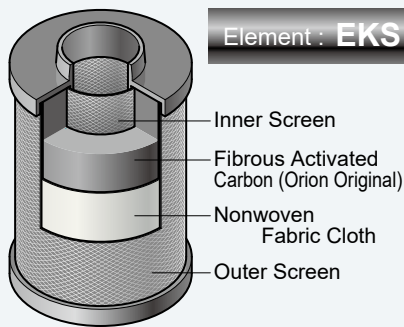
Oil-Resistant Plastic Form



High Quality Glass Fiber



Carbon Filter KSF-AL | Location*1 After MSF-AL



Sectioned Drawing of Element

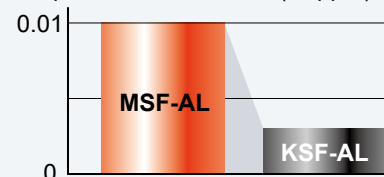
Element : **EKS**

Removes Odor (0.003wt ppm) .
Newly developed element "Fibrous Activated Carbon" installed(EKS)
Great reduction in amount of loose carbon as compared with previous filters



P-loss
0.009MPa

Output Oil Concentration(wt ppm)



All AL-Filter are alumite-treated on the inside surface.

*1 : Please refer to Basic System Example catalog on page 4

ORION Refrigerated Air Dryer

ARX Series



Standard inlet air temp. model

Descriptions	Type	ARX										
		5J	10J	20J	30J	50J	75J	100J	110K	120K	180K	
Air Processing Capacity	m ³ /min	0.54	1.0	2.3	4.0	6.4	9.0	12.0	13.0	19.0	26.0	
Inlet Air Temperature	°C	10~50										
Dew Point Temperature	°C	3~15										
Ambient Temperature	°C	2~43										
Operating Pressure	MPa	0.2~0.98										
Dimensions	Height	mm	480	510	610		900	990	1050	1054	1229	1275
	Depth	mm	450	600	820		960	980	1010	1022	1023	1291
	Width	mm	180	240	240		300		380	470	592	702
Mass	kg	18	26	35	44	83	94	106	140	167	233	
Pipe Connections	B	R1/2	R3/4	R1		R1·1/2		R2		R2·1/2		
Power Source		1ph 220V 50Hz						3ph 380V 50Hz				
Power Consumption	kW	0.26	0.27	0.36	0.68	1.7		3.3	3.4	5.0		
Refrigerant		R134a					R410A					

※ Rated condition: Compressed air inlet pressure (gauge pressure): 0.69MPa, Pressure dew point: 10°C, Inlet air temperature: 35°C, Ambient temperature: 30°C
 ※ Air Processing Capacity is converted to the suction air condition (atmospheric, 32°C, 75%RH). ※ Refer to the specifications sheet for further details.

High inlet air temp. model

Descriptions	Type	ARX										
		3HJ	5HJ	10HJ	20HJ	30HJ	50HJ	75HJ	90HK	100HK	120HK	
Air Processing Capacity	m ³ /min	0.32	0.7	1.1	2.8	4.6	7.6	8.8	10.7	14.9	18.4	
Inlet Air Temperature	°C	10~80										
Dew Point Temperature	°C	3~15										
Ambient Temperature	°C	2~43										
Operating Pressure	MPa	0.2~0.98										
Dimensions	Height	mm	480	510	610		900	990	1050	1054	1229	1275
	Depth	mm	450	600	820		960	980	1010	1022	1023	1291
	Width	mm	180	240	240		300		380	470	592	702
Mass	kg	18	26	35	44	83	94	106	140	167	233	
Pipe Connections	B	R1/2	R3/4	R1		R1·1/2		R2		R2·1/2		
Power Source		1ph 220V 50Hz						3ph 380V 50Hz				
Power Consumption	kW	0.27	0.28	0.37	0.74	1.9	2.0		3.7	3.8	4.8	
Refrigerant		R134a					R410A					

※ Rated condition: Compressed air inlet pressure (gauge pressure): 0.69MPa, Pressure dew point: 10°C, Inlet air temperature: 50°C, Ambient temperature: 35°C
 ※ Air Processing Capacity is converted to the suction air condition (atmospheric, 32°C, 75%RH). ※ Refer to the specifications sheet for further details.

Heavy Duty model

Descriptions	Type	ARX							
		Air Cooled Models				Water Cooled Models			
Air Processing capacity	m ³ /min	23	31	35	45	29	41	53	74
Inlet Air Temperature	°C	10~60				10~60			
Dew Point Temperature	°C	3~15				3~15			
Ambient Temperature	°C	2~45				2~45			
Operation Pressure	MPa	0.29~0.98				0.29~0.98			
Dimensions	Height	mm		1500		1500		1500	
	Depth	mm		1500		1996		1000	
	Width	mm		802		850		802	
Mass	kg	323	385	380	470	278	350	395	495
Pipe Connections	FLG	2·1/2B (65 A)		3B (80 A)		4B (100 A)		2·1/2B (65 A)	
Dual-Drive Eco System		—		○		—		○	
Power Source		3ph 380V 50Hz				3ph 380V 50Hz			
Power Consumption	kW	5.6	10		12	4.2	6.8	9.5	12.5
Recommended Pre-Filter (Option)		DSF2900 A		DSF3500A		DSF5300A	DSF2900A	DSF4100A	DSF5300A
Refrigerant		R407C				R407C		R410A	

※ Rated condition: Compressed air inlet pressure (gauge pressure): 0.69MPa, Pressure dew point: 10°C, Inlet air temperature for air cooled model: 50°C, Ambient temperature for air cooled model: 35°C, Inlet air temperature for water cooled model: 45°C, Cooling water temperature for water cooled model: 32°C at specified water flow rate. ※ Air processing capacity figures are based on ANR and adjusted to atmospheric pressure, 32°C, 75% RH. ※ Refer to the specification sheet for further details. ※ Please install Drain Filter (DSF) before air dryer to guarantee its performance.
 ※ Air connection flange : JIS 10K FF, No companion flange is attached.

ORION Clean Air Filter



AL Small-size Air Filter

Descriptions	Type		Type									
	DSF/LSF/MSF/KSF		75-AL ^{※1}	150-AL	200-AL	250-AL	400-AL	700-AL	1000-AL	1300-AL ^{※4}	2000-AL ^{※4}	
Air Processing Capacity ^{※2}	0.69MPa	m ³ /min	0.35	1.2	1.8	2.7	3.9	6.6	10.6	13.8	20.0	
Casing Material			Aluminum Die Casting (All AL-Filter are alumite-treated on the inside surface.)									
Operating Range	Fluid		Compressed Air									
	Inlet Air Pressure		0.05~0.98 (DSF / LSF / MSF 1300AL1, 2000AL1 : 0.1~0.98)									
	Inlet Air Temperature		5~60									
	Ambient Temperature		2~60									
Performance ^{※3}	Filtration		DSF : 5μm and Water Separation Efficiency 99% / LSF : 1μm (Filtration Efficiency 99.999%) MSF : 0.01μm (Filtration Efficiency 99.999%) / KSF : Adsorption									
	Outlet Oil Contamination		MSF : 0.01 / KSF : 0.003									
	Pressure Loss		DSF : Initial 0.005 / LSF : Initial 0.005 / MSF : Initial : 0.01 • Usual 0.02 / KSF : 0.009									
When to replace filter element			One year or pressure loss 0.02 MPa for DSF, 0.035 MPa for LSF/MSF, whichever comes first.									
Connections	Pipe Connections		Rc3/8	Rc1/2	Rc3/4	Rc1		Rc1 • 1/2		Rc2		
	Different Pressure Gauge Connection		Rc1/4									
Mass			kg		1.0	2.0	2.1	2.6	5.0	6.0	6.5	9.0
Accessories	Filter Element	Type	EDS/ELS EMS/EKS	75	150	200	250	400	700	1000	1300	2000
		Q'ty	1 each									
	Auto Drain Trap		LSF/MFS DSF	NH-503MR built-in, none with KSF							FD2, none with KSF	
	Differential Pressure Gauge			Option				DG-50(A)(LSF • MSF Equipped) / DSF • KSF Option				

※1. KSF available from 150 to 2000. ※2. Air Processing Capacity is converted to the suction air condition (atmospheric, 32°C, 75%RH).
 ※3. All Performances are tested at standard Air Processing Capacity (0.69MPa), Inlet oil contamination 3 wt ppm(LSF/MSF), 0.01wt ppm(KSF)
 ※4. Model name of KSF is "KSF1300-AL" and "KSF2000-AL".
 ※5. Oil concentration is measured in conformity with ISO8573-2 "Compressed air - Part 2 : Test methods for oil aerosol content" , not including oil-vapor.

SUS Large-size Air Filter

Descriptions	Type		Type					
	DSF/LSF/MSF/KSF		2900A	3500A	4100A	5300A	6100A	8000A
Air processing capacity	0.69 MPa	m ³ /min	29	35	41	53	61	80
Body and housing			Stainless steel					
Operating Ranges	Fluid		Compressed Air					
	Operating Ranges		0.1~0.98 (DSF: 0.2~0.98, KSF:0.05~0.98)					
	Inlet Air Temperature		5~60					5~60
	Ambient Temperature		2~60					2~60
Performance	Filtration		DSF : 5μm (Liquid water separation efficiency: 99%) MSF : 0.01μm (Filtration efficiency: 99.999%)			LSF : 1μm (Filtration efficiency: 99.999%) KSF : Adsorption by activated carbon fiber		
	Outlet Oil Concentration		MSF : 0.01 KSF : 0.003 ※ Subject to inlet air conditions of the system piping.					
When to replace filter element			One year or pressure loss 0.02 MPa for DSF, 0.035 MPa for LSF/MSF, whichever comes first.					
Air Connection (FLG)			2•1/2B (65A), JIS 10K FF		3B (80A), JIS 10K FF		4B (100A), JIS 10K FF	
Mass			kg		26	28	DSF/LSF/MSF : 48 KSF : 46 DSF/LSF/MSF/KSF : 95	
Accessories	Filter Element	Type	EDS/ELS EMS/EKS	1300	2000		2000	
		Quantity		2	2		3	4
	Auto Drain Trap			FD-10-A (DSF)		FD2 (LSF/MSF)	None with KSF	
	Pressure Differential Gauge			DG-50A (Comes standard only with the MSF. Available as an option on other models.)				
Other			-					
			Stand					

※ Air processing capacity is converted to the suction air condition (at atmospheric pressure, 32deg.C and 75%). ※ Special-order models available with an air pressure specification of 1.0 MPa. ※ Oil concentration is measured in conformity with ISO8573-2 "Compressed air - Part 2 : Test methods for oil aerosol content" , not including oil-vapor. ※ Air connection flange : JIS 10K FF, No companion flange is attached. ※ Refer to the specification sheet for further details.

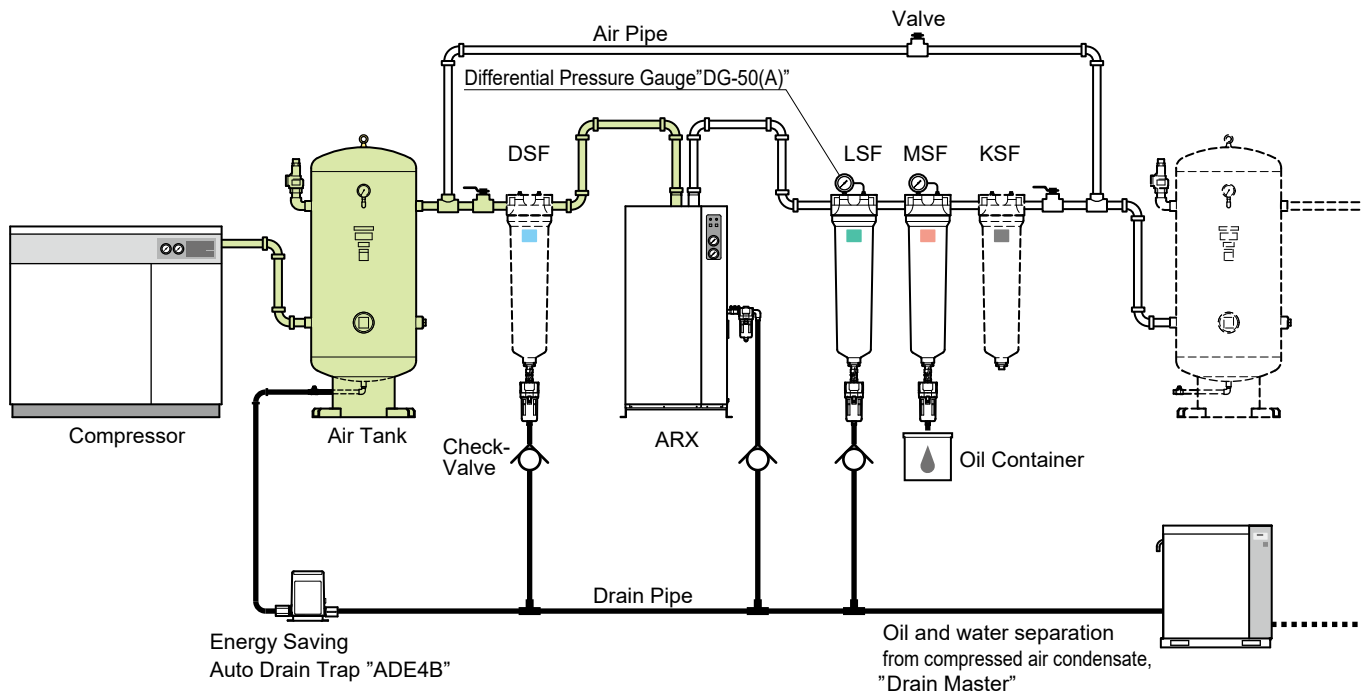
Basic System Examples

Air Quality Notes



Please install ORION genuine Clean Air Filters 'before and after ARX dryer' for the best performance.

Safety Notes

Before operating equipment, please read the operating manual carefully, and only use as indicated. For installation of equipment and required wiring, employ a qualified person or consult with your dealer. Be sure to select equipment which suits your needs. Do not use equipment for purposes other than intended. Doing so can lead to accidents or equipment breakdown.



System	Applications
★ ☆ DSF ARX LSF MSF KSF	General Painting, Precision Machinery Industry, etc
☆ DSF ARX LSF MSF	Standard Pneumatic
ARX LSF MSF	Standard Pneumatic
▲ LSF ARX MSF	▲ Not recommended

- 1) In case no Drain Filter (DSF) before large ARX air dryer (Heavy duty model) does not cover its warranty.
- 2) Please consult with your dealer or ORION directly for further information when compressed air is supplied for medical, food, or clean room use.
- 3) Please set up above ☆ system when Oil-Free compressor is installed.
- 4) Please set up above ★ system when intake air of an air compressor includes large amount of oil droplets.
- 5) ▲ LSF-AL is not recommended to be installed before ARX dryers because it will increase differential pressure and drain water will be accumulated in the differential pressure gauge.
- 6) Please refer to "Compressed Clean Air catalog" (D-AG02 ) for details of "DRAIN MASTER" series.
- 7) SUS pipe and SUS air tank are recommended when Oil-Free compressor is installed (as indicated in Green). ARX Heat-Exchanger is made of SUS 
- 8) Please install a check valve on exhaust pipe of filter.
- 9) Please consult with your dealer or ORION directly when you are not certain of air tank location (before or after ARX).

Model Selection

1. For Air Dryer

1 **Temperature conditions**
 Table A : High Inlet Air Temp. Models
 Table B : Standard Air Temp. Models
 Table C : Water Cooled Models
 Table D : Air Cooled Models
 Table E : Air Pressure Coefficient

Model selection Example

Inlet Air Temp.	60°C	Ambient Temp.	35°C	Air Flow	6m³/min
PDP	10°C	Air Pressure	0.59MPa	Frequency	50Hz

1 From charts, Inlet temp. coefficient → **0.70**
 Air Pressure coefficient → **0.93**

2 Calculate the necessary air capacity for the model selection.
Air capacity required = Intake air volume / (A or B or C or D × E)

2 Air capacity required for dryer.
6 / (0.70×0.93)=9.2m³/min

3 Please select the suitable model from the specification which has bigger Air Processing Capacity (P3) than the air capacity required.

3 The suitable model to process 9.2m³/min is ARX90HK, as its capacity exceeds the required value.

A: Inlet Air Temperature Coefficient (High Inlet Air Temp. Models)

Inlet air temperature(°C)		50			60			70			80		
Outlet dew point (°C)		5	10	15	5	10	15	5	10	15	5	10	15
Ambient temperature(°C)	30	0.78	1.06	1.27	0.62	0.80	0.92	0.53	0.68	0.82	0.48	0.63	0.79
	35	0.73	1.00	1.21	0.57	0.70	0.86	0.47	0.60	0.74	0.41	0.57	0.71
	40	0.55	0.75	0.91	0.44	0.56	0.66	0.37	0.46	0.55	0.33	0.42	0.51

B: Inlet Air Temperature Coefficient (Standard Inlet Air Temp. Models)

Inlet air temperature(°C)		35			40			45			50		
Outlet dew point (°C)		5	10	15	5	10	15	5	10	15	5	10	15
Ambient temperature(°C)	25	0.87	1.10	1.31	0.72	0.86	1.05	0.60	0.72	0.86	0.55	0.69	0.76
	30	0.80	1.00	1.20	0.66	0.79	0.96	0.55	0.66	0.79	0.50	0.63	0.70
	35	0.78	0.94	1.15	0.63	0.74	0.92	0.51	0.62	0.74	0.46	0.57	0.65
	40	0.73	0.88	1.08	0.58	0.65	0.86	0.47	0.56	0.68	0.40	0.51	0.58

C: Inlet Air Temperature Coefficient (Heavy Duty / Water cooled Models)

Inlet air temperature (°C)		40			45			50			55			60		
Outlet dew point (°C)		5	10	15	5	10	15	5	10	15	5	10	15	5	10	15
Coefficient		0.88	1.14	1.14	0.77	1.00	1.14	0.66	0.91	1.10	0.59	0.83	0.98	0.54	0.75	0.89

D: Inlet Air Temperature Coefficient (Heavy Duty / Air Cooled Models)

Inlet air temperature (°C)		40			45			50			55			60		
Outlet dew point (°C)		5	10	15	5	10	15	5	10	15	5	10	15	5	10	15
Ambient temperature (°C)	30	0.85	1.15	1.37	0.83	1.12	1.35	0.78	1.06	1.27	0.67	0.88	1.04	0.62	0.80	0.92
	32	0.82	1.12	1.34	0.80	1.09	1.31	0.76	1.03	1.24	0.64	0.85	1.01	0.60	0.75	0.89
	35	0.79	1.09	1.30	0.77	1.06	1.28	0.73	1.00	1.21	0.62	0.81	0.98	0.57	0.70	0.86
	40	0.60	0.81	0.98	0.58	0.80	0.96	0.55	0.75	0.91	0.47	0.62	0.75	0.44	0.56	0.66

E: Air Pressure Coefficient

Air Pressure (MPa)	0.20	0.29	0.39	0.49	0.59	0.69	0.78	0.88	0.93	0.98
Coefficient	0.67	0.73	0.80	0.87	0.93	1.00	1.07	1.13	1.16	1.20

*Please ask to ORION dealer about coefficient at dew point 3°C *The coefficient is only for reference, please ask ORION dealer about its guaranteed performance.

2. For Air Filter

Calculate the necessary air capacity for the model selection.

$$\text{Air processing capacity} \geq \frac{\text{Desired capacity}}{\text{Pressure correction coefficient}}$$

Pressure Correction Coefficient (inlet pressure)

Pressure (MPa)	0.20	0.29	0.39	0.49	0.59	0.69	0.78	0.88	0.98
Pressure Correction Coefficient	0.38	0.49	0.62	0.75	0.87	1.00	1.06	1.12	1.17

Accessories

Auto Drain Trap

Item	Float operated			Disc operated
	FD2-G3	FD6-G1	FD-10-A	AD-5-G7
Maximum drain flow capacity ※1	10 cm ³ / cycle	30 cm ³ / cycle	80 cm ³ / cycle	450 L / h
Operable pressure range	MPa 0.1 ~ 1.0		0.20 ~ 0.98	0.29 ~ 0.98
Operable temperature range	°C 2 ~ 60			
Processed fluid	Compressed air drain			
Drain release method	Float operated			Disc operated
Connections	Inlet	Rc 1/2		1/2
	Drain outlet	ID ϕ 5.7 ~ 6.0 OD ϕ 8	Rc 3/8	Rc 1/2
Mass	kg 0.3	0.45	1	1.7
Outside dimensions	mm	Outside diameter: 63 × length: 178	Outside diameter: 80 × length: 201	Outside diameter: 96 × length: 193

※1. Drain conditions: Air pressure (gauge pressure): 0.69MPa.

※Indoor specifications (Operable in environment where it would not be exposed to water splash.)

※When setting up drain piping, to prevent back pressure from other traps, be sure to install a check valve. Also install drain traps at each drain port. (Please refer to detail on page 5)

※Refer to the specification sheet for further details.

Differential Pressure Gauge



Various Accessories Available



ORION MACHINERY ASIA CO., LTD.

ORION MACHINERY ASIA PRODUCTS



For inquiries, please contact the following representative:

ORION MACHINERY ASIA CO., LTD.

33 / 3 Moo 5 Sambundid, U-Thai,
Ayutthaya 13210, Thailand
TEL : +66-35-246-828
FAX : +66-35-246-829
<https://orion-machinery-asia.com/>



Important:

- This catalog contains product specifications as of Jan., 2020.
- Images in this catalog are printed images and actual product colors may differ from the colors herein.
 - Product mechanisms, specifications, etc. listed in this catalog are subject to change without notice.
 - Designed by Orion Machinery Japan. Assembled in Thailand.